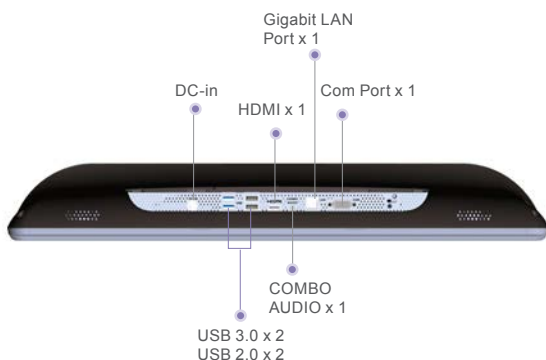


Mobile Cart Computer

Venus-243

24" 24/7 Self-Power Medical Cart Computer



Features

- Highest level of medical safety protection: EMC4.0/ Safety 3.1
- Cleanability with Hospital Solvents (front IP65)
- Hot swappable design, support 24/7 run time
- Intel® Skylake Dual-Core i5
- Support remote monitor/control/update (ORION compatible)
- Lightweight design
- HDMI 1.4
- Win10 64 bit compatible

Specifications

Main Specifications

Processor	Intel® Skylake Dual-Core i5
System Memory	DDR4 up to 32GB
OS Support	Microsoft® Windows 7 (32/64bit)
	Microsoft® Windows 8.1 (64bit)
	Microsoft® Windows 10 (64bit)
	Ubuntu 14.04 LTS
Graphics	Intel® HD Graphics 520
Storage	SSD up to 512GB (optional)
Wireless Communication	802.11 ac/a/b/g/n + BT (optional)
Touch	PCT
Speaker	2W x2
Security	TPM 2.0 (Trusted Platform Module), Smart Card Reader, RFID ISO 15693/14443A (optional)

Display

Display Size	23.8" VA panel
Resolution	FHD 1920 x 1080
Max. Colours	16.7M
Contrast Ratio	3000:1
Luminance (cd/m2)	250

I/O

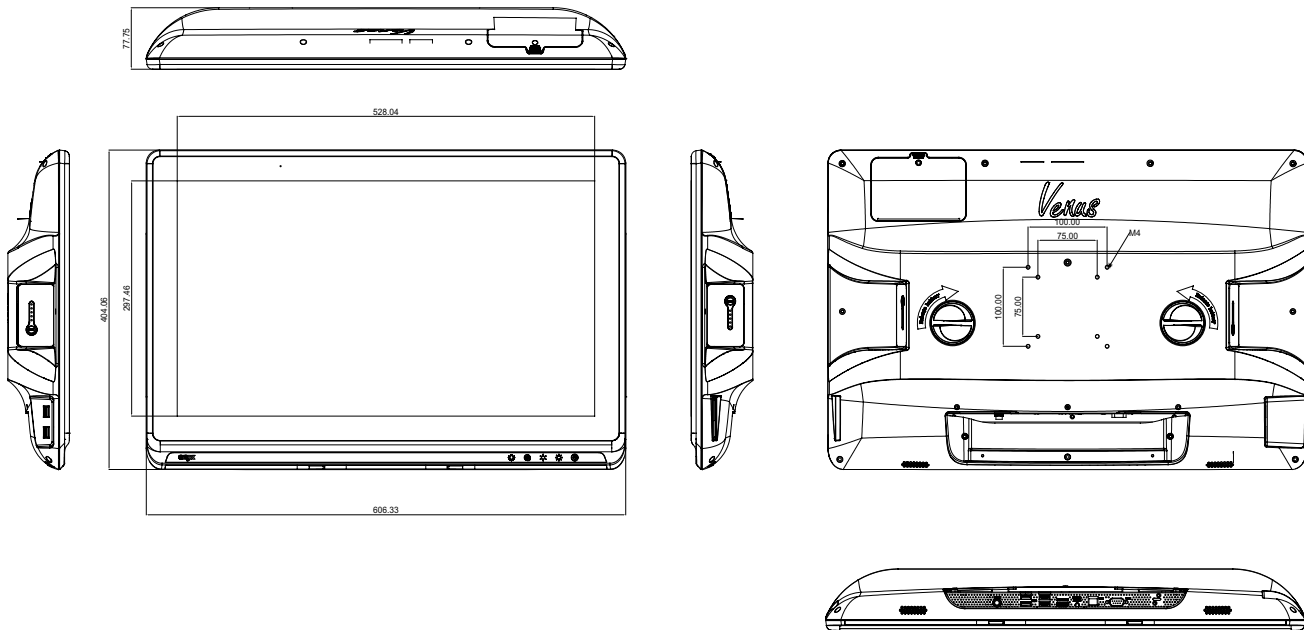
USB	Rear I/O: USB 3.0 x 2, USB 2.0 x 2 Side I/O : USB 3.0 x 2
Video Out	HDMI 1.4 x1
COM	COM port x1
Audio	Combo audio port x1
Security	Kensington slot
Ethernet	Gigabit LAN x1
DC-in	24V DC-in x1

Mechanical and Environmental

VESA	75/100 mm VESA mount
Operating Temperature	0°C ~ 40°C(32°F ~ 104°F)
Storage Temperature	-20°C ~ 60°C(-4°F ~ 140°F)
Storage Humidity	10%~95%@35°C, non-condensing
Dimension	528(L) x 78(W) x 404(H) mm
Net Weight	8kg (17.6 lbs)
Packing Size	745(L) x 255(W) x 558(H) mm
Gross Weight	11.5kg (24.3 lbs)
Certification	CE/FCC Class B, UL60601-1, EN60601-1

24" 24/7 Self-Power Cart Computer

Dimension / Unit: mm



Ordering Information

- » VENUS-243ST-A1-1010
Cart Computer.i5.24".Fanless.PCT.4G RAM.SCR.TPM. XL Battery x2

Optional Information

- | | |
|--|---|
| <ul style="list-style-type: none"> » 1255301501
Medical Adaptor. 100-240V/1.0-2.5A 24V/6.25A 150W » OPM-S02R-A0
RFID Reader Kit » OPM-C09W-A0
WLAN dual band module kits. INTEL 802.11ac/a/b/g/n+BT » OPM-C07W-A2
WLAN dual band module kits. Atheros 802.11a/b/g/n + BT 4.0 | <ul style="list-style-type: none"> » OPM-P01C-03
6-Slot Charger + Medical adaptor 24V/250W » UP-P22-A1-1010
2-Slot Charger + Medical adaptor 24V/150W |
|--|---|