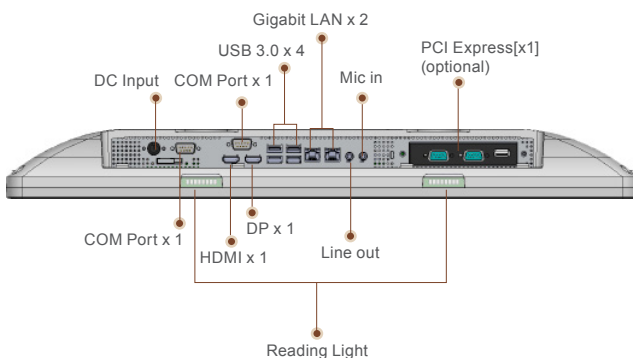
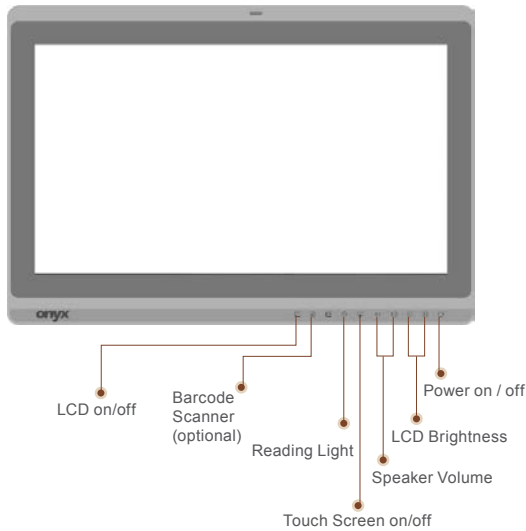


MATE-2403

24" Fanless Core i7 Medical AIO



Features

- Intel® 6th Generation Core™ i7/ i5 / i3 Processor
- Intel® H110 Chipset
- Supports Dual Channel DDR4 2133 SODIMM up to 32GB
- 24" full HD high contrast MVA LCD
- 5-Wire resistive touch screen/capacitive multi-touch screen
- Two gigabit ethernet
- High speed USB 3.0 ports
- RS-232 x 2
- PCI-Express x [1] x 1 (optional)
- +12V DC input

Specifications

Main Specifications

Processor	Intel® 6th Generation Core i7 / i5 / i3 Processor
System Memory	Supports Dual Channel DDR4 2133 SODIMM up to 32GB
Chipset	Intel® H110
OS Support	Windows® 7, Windows® 8.1, Windows® 10, Linux®
Storage Disk Drive	2.5" SATA Hard Disk Drive/SSD x 1 Slim DVD-RW Drive x 1 (optional)
Security	Trusted Platform Module, RFID Reader (optional) Smart Card Reader x 1 (optional)
Wireless Communication	802.11 ac/a/b/g/n(optional), Bluetooth 3.0HS & 4.0 (optional)
Speaker	5W x 2
Function Key	Speaker Volume Up/Down, LCD Brightness Up/Down LCD On/Off, Touch Screen On/Off, Reading Light On/Off
Power Requirement	DC 12V

Display

Size	24" LCD
Resolution	1920 x 1080
Luminance	250 nits
View Angle	178° (H)/178° (V)
Contrast Ratio	3000:1
Back Light Life Time	30,000 Hours
Touch Screen	5-Wire Resistive/Capacitive Multi-Touch

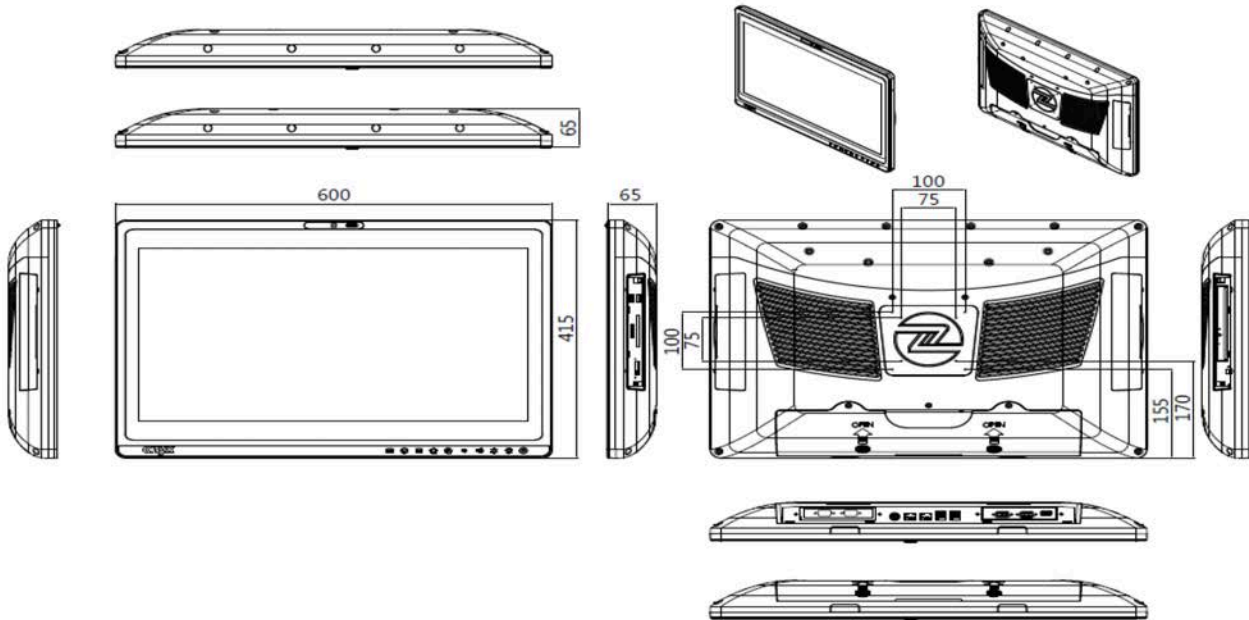
I/O

USB	USB 3.0 x 4, USB 2.0 x 2
Serial Port	RS-232 x 2
Ethernet	1.5KV Isolated Gigabit LAN x 2
Video Out	Display Port x1, HDMI x 1 (Supports resolution up to 3840 x 2160)
Audio	Mic-in, Line-out

Mechanical and Environmental

Operating Temperature	0°C ~ 35°C(32°F ~ 95°F)
Storage Temperature	-20°C ~ 60°C(-4°F ~ 140°F)
Mounting VESA	75/100 mm
Degree of Protection	IP65 in the front ; IP54 in the back
Net Weight	9.7kg (21.4lb)
Package Dimension (W x D x H)	790 x 220 x 550mm
Certification	CE, FCC Class B Passed 18_cULus Mark/UL+VTC Report+ISO 14971(CAN/CSA-C22.2No.60601-1-08; ANSI/AAMI ES60601-1:2005, EC 60601-1-1:2005, EN 60601-1:2006 ISO 14971)022 / EN55024 15 Class B

Dimension / Unit: mm



Ordering Information

- | | |
|--|---|
| <ul style="list-style-type: none"> » MATE-2403ST-A1-1010
Medical Panel PC, 24" LCD, i7, 4GB RAM, DC 12V, Capacitive Touch » MATE-2403ST-A2-1010
Medical Panel PC, 24" LCD, i5, 4GB RAM, DC 12V, Capacitive Touch » MATE-2403ST-A3-1010
Medical Panel PC, 24" LCD, i3, 4GB RAM, DC 12V, Capacitive Touch | <ul style="list-style-type: none"> » MATE-2403ET-A1-1010
Medical Panel PC, 24" LCD, i7, 4GB RAM, DC 12V, Resistive Touch » MATE-2403ET-A2-1010
Medical Panel PC, 24" LCD, i5, 4GB RAM, DC 12V, Resistive Touch » MATE-2403ET-A3-1010
Medical Panel PC, 24" LCD, i3, 4GB RAM, DC 12V, Resistive Touch |
|--|---|

Optional Accessories

- | | |
|--|--|
| <ul style="list-style-type: none"> » 1255301204
Medical Power Adapter, 120W, 12V » OPM-T006-A2
Smart Card Reader Kit » OPM-T013-A2
Slim Slot-in DVD-RW Drive » OPM-C06W-A6
WLAN Kit, IEEE 802.11a/b/g/n + Bluetooth 4.0 » OPM-R03X-A1
PCI Express[x1] Riser Kit | <ul style="list-style-type: none"> » OPM-C02C-A1
Two Isolated RS-232 & One Isolated USB 2.0 PCIe Card » OPM-C02C-A2
Two Isolated RS-232 PCIe Card » OPM-C03C-A1
One Isolated Gigabit LAN & One Isolated RS-232 & One Isolated USB 2.0 PCIe Card |
|--|--|