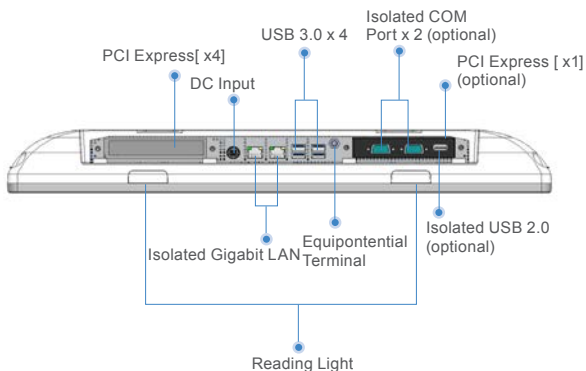
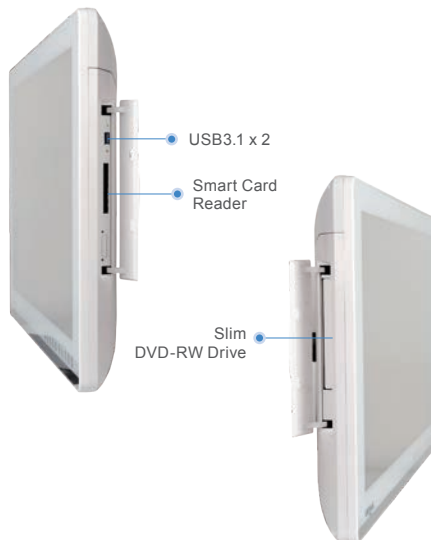
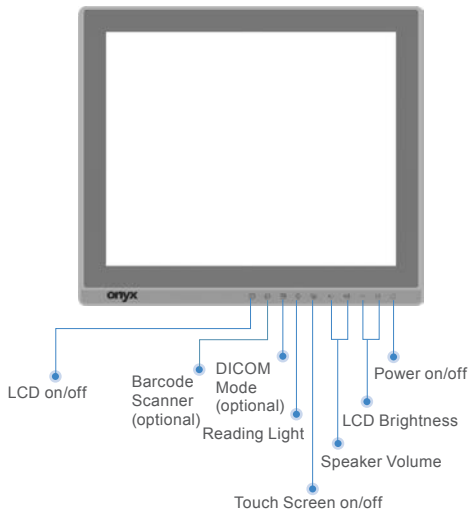


## Smart View Medical Station

# ZEUS-198

19" Fanless Smart View 6th Generation Core i7  
Multi-Touch Medical Station



## Features

- Intel® 6th Generation Core i7-6600U 3.4GHz Dual Core Processor
- 19" 250-nit SXGA LCD
- Supports DDR4 SODIMM up to 32GB
- Capacitive multi-touch screen/5 wire resistive touch screen
- Easy cleaning flat screen
- 10 programmable smart function keys with dual colours LED status indication
- LAN/USB(optional)/COM(optional) medical isolation
- Super speed 10Gb/s USB 3.1 port
- PCI express[x4] x 1, PCI Express[x1] , PCI x1(optional)
- Trusted platform module/smart card reader(optional)/RFID reader (optional)
- Remote management: Intel active management technology
- +12V to +24V wide range DC input
- 22Wh backup battery(optional)

## Specifications

### Main Specifications

Processor	Intel® 6th Generation Core i7-6600U 3.4GHz Dual Core
System Memory	DDR4 SODIMM up to 32GB
Expansion	PCI Express[x4] x 1, PCI Express[x1] , PCI x1(optional)
Storage Disk Drive	2.5" SATA Hard Disk Drive/SSD x 1 Slim DVD-RW Drive x 1(optional) M.2 SSD x 1
Security	Trusted platform module, smart card reader (optional), RFID(optional)
Wireless Communication	802.11a/b/g/n/ac (optional), Bluetooth 4.0 (optional)
Speaker	5W x 2
Function Key	Speaker Volume Up/Down, LCD Brightness Up/Down, LCD On/Off, Touch Screen On/Off, DICOM Mode(optional), Reading Light On/Off
Power Requirement	DC 12~24V, 22Wh back up battery (optional)
OS Support	Windows® 7, Windows® 8.1, Windows® 10, Linux®

### Display

Size	19" LCD
Resolution	1280x1024
Luminance	250 nits
View Angle	170°(H)/160°(V)
Contrast Ratio	1000:1
Back Light Life Time	30,000 hours
Touch Screen	Capacitive multi-touch/5-wire resistive

### I/O

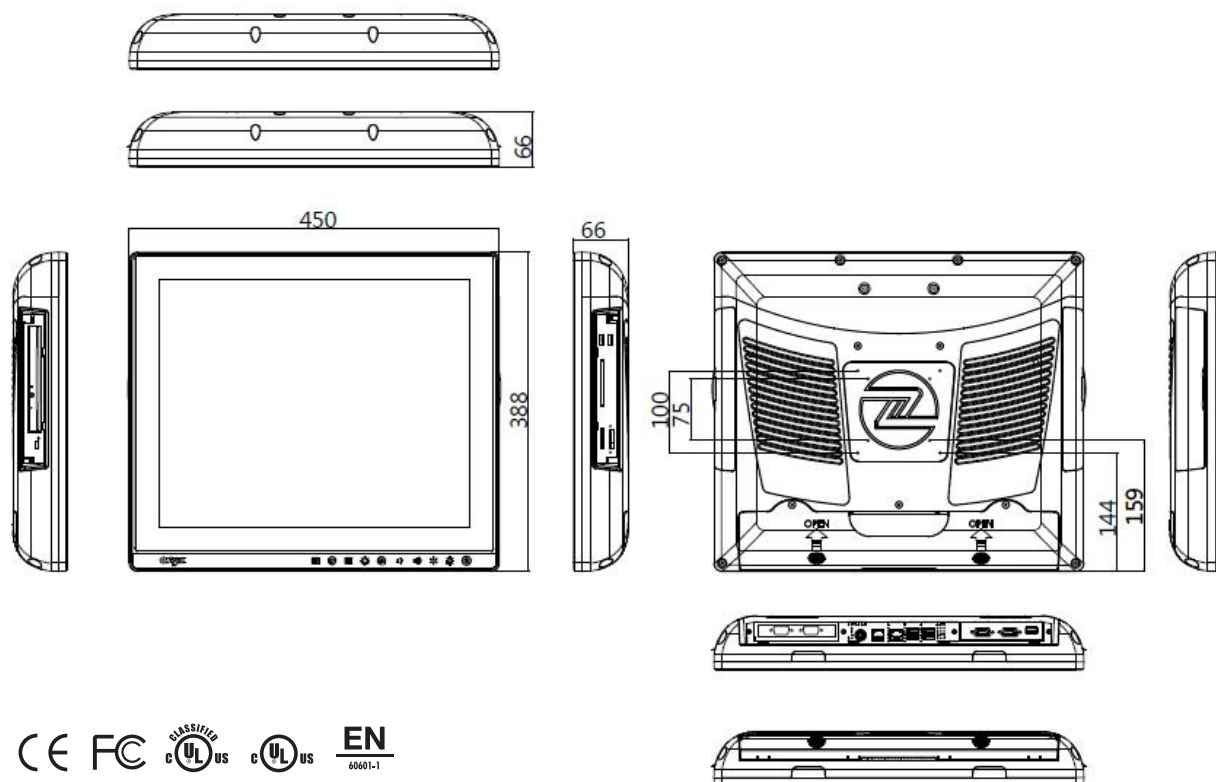
USB	USB 3.0 x 4, USB 3.1 x 2(in side I/O), Isolated USB 2.0 x1(optional)
Serial Port	Isolated RS-232 x 2(optional)
Ethernet	Isolated Gigabit LAN x 2
Audio	Mic(optional)/ Line out(optional)
Video Out	Display Port x 2(optional)

### Mechanical and Environmental

Power Consumption	Full loading: 55 watts
Operating Temperature	0°C ~ 40°C(32°F ~ 104°F)
Storage Temperature	-20°C ~ 60°C(-4°F ~ 140°F)
Mounting	VESA 75/100 mm
Degree of Protection	IP65 in the front, IPX1
Net Weight	7kg (15.43lb)
Package Dimension (W x D x H)	640 x 220 x 520mm
Certifications	CE, FCC Class B Passed 18, cULus Mark/UL+VTC Report+ISO 14971(CAN/CSA-C22.2NOo.60601-1-08; ANSI/AAMI ES60601-1:2005, EC 60601-1-1:2005, EN 60601-1:2006 ISO 14971)

## 19" Fanless Smart View 6th Generation Core i7 Multi-Touch Medical Station

### Dimension / Unit: mm



### Ordering Information

- |  |   |
|--|---|
| » ZEUS-198ST-A1-1010<br>Medical Station.i7-6600U.4GB RAM.19" LCD.12~24V.Capacitive Touch | » ZEUS-198ET-A1-1010<br>Medical Station.i7-6600U.4GB RAM.19" LCD.12~24V.Resistive Touch |
| » ZEUS-198ST-A2-1010<br>Medical Station.i5-6300U.4GB RAM.19" LCD.12~24V.Capacitive Touch | » ZEUS-198ET-A2-1010<br>Medical Station.i5-6300U.4GB RAM.19" LCD.12~24V.Resistive Touch |
| » ZEUS-198ST-A3-1010<br>Medical Station.i3-6100U.4GB RAM.19" LCD.12~24V.Capacitive Touch | » ZEUS-198ET-A3-1010<br>Medical Station.i3-6100U.4GB RAM.19" LCD.12~24V.Resistive Touch |

### Optional Accessories

- |   |  |
|---|--|
| » 1255301202<br>Medical Power Adapter, 120W, 24V                        | » OPM-V03B-A1<br>One Display Port + Two RS-232 Kit |
| » OPM-C06W-A6<br>Mini Card WLAN Kit, IEEE 802.11a/b/g/n + Bluetooth 4.0 | » OPM-V03B-A2<br>One Display Port Kit              |
| » OPM-T003-A3<br>Slim Slot-in DVD-RW Drive                              | » OPM-V03B-A2<br>One Display Port Kit              |
| » OPM-T006-A1<br>Smart Card Reader Kit                                  | » OPM-T012-A2<br>Two RS-232 Kit                    |
| » OPM-P03C-A4<br>22Wh Backup Battery                                    | » OPM-V04B-A1<br>DICOM Kit                         |
| » OPM-C02C-A4<br>Two Isolated RS-232 PCIe Card                          | » OPM-R02X-A1<br>PCI Express [X1] Riser Kit        |
| » OPM-C02C-A3<br>One Isolated USB 2.0 + Two Isolated R-232 PCIe Card    | » OPM-R01P-A1<br>PCI Riser Kit                     |