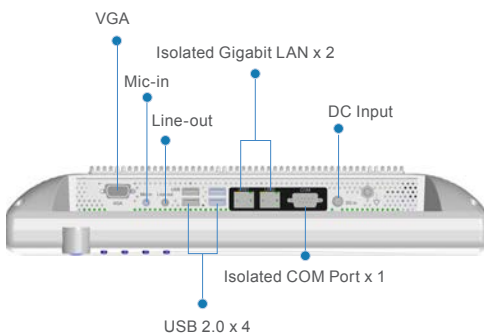
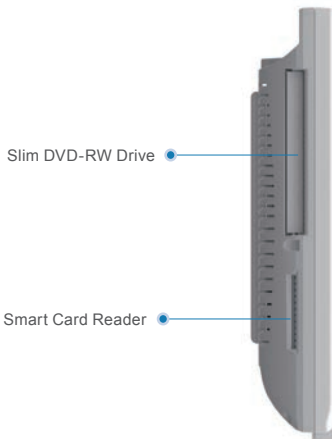


ONYX-1731

17" Fanless J1900 Quad Core Slim Medical Panel PC



Features

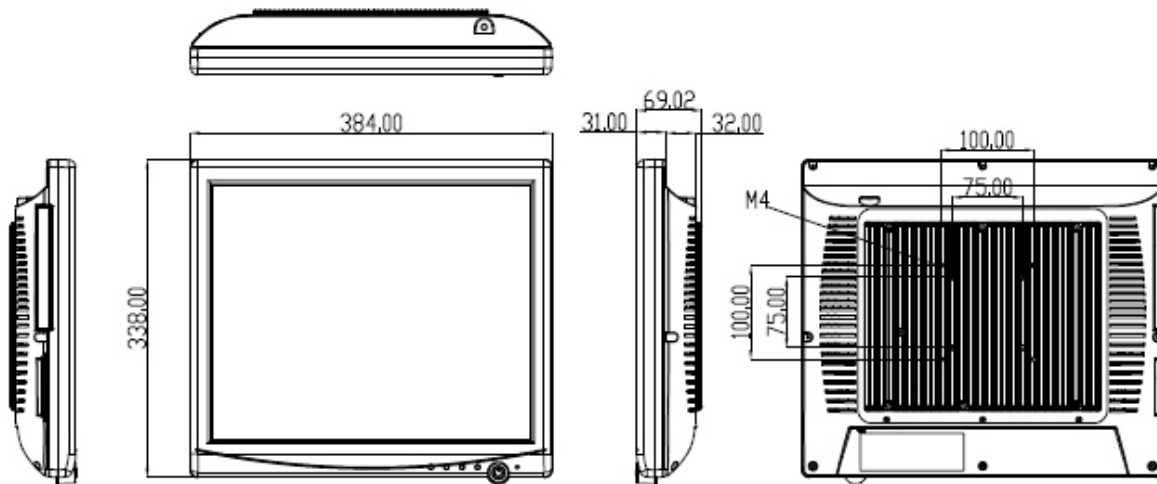
- Intel Celeron J1900 2.42GHz Quad Core Processor
- 17" high brightness 350 nits SXGA LCD
- Supports DDR3L SODIMM up to 8GB
- 5-wire resistive touch screen
- COM/LAN medical isolation
- Trusted platform module/smart card reader (optional)/RFID Reader (optional)
- 802.11ac/a/b/g/n wireless LAN (optional)
- +12V to +24V wide range DC input

Specifications

Main Specifications	
Processor	Intel® Celeron J1900 Quad Core 2.42GHz
System Memory	Supports DDR3L SODIMM up to 8GB
OS Support	Windows® 7, Windows® 8.1, Windows® 10, Linux®
Expansion Interface	Mini card x1
Storage Disk Drive	mSATA SSD x 1, Slim DVD-RW Driver x 1 (optional)
Security	Trusted platform module, smart card reader (optional), RFID reader(optional)
Function Key	Speaker volume up/down, LCD brightness up/down
Wireless Communication	802.11ac/a/b/g/n (optional), Bluetooth 4.0 (optional)
Speaker	3W x 2
Power Requirement	DC 12~24V
Display	
Size	17" LCD
Resolution	1280 x 1024
Luminance	350 nits
View Angle	170°(H)/160°(V)
Contrast Ratio	1000:1
Back Light Life Time	> 30,000 hours
Touch Screen	5-wire resistive
I/O	
USB	USB 2.0 x 4
Serial Port	Isolated RS-232 x 1
Ethernet	Isolated Gigabit LAN x 2
Video Out	VGA x 1
Audio	Mic-in, line-out
Mechanical and Environmental	
Power Consumption	Full loading: 21 Watts
Operating Temperature	0°C ~ 40°C(32°F ~ 104°F)
Storage Temperature	-20°C ~ 60°C(-4°F ~ 140°F)
Mounting	VESA 75/100 mm
Degree of Protection	IP65 in the front, IPX1
Net Weight	5.6kg (12.32lb)
Package Dimension (W x D x H)	630 x 250 x 640mm
Certifications	CE, FCC Class B Passed 18,cULus Mark/UL+VTC Report+ISO 14971(CAN/CSA-C22.2No.60601-1-08; ANSI/AAMI ES60601-1:2005, EC 60601-1-1:2005, EN 60601-1:2006 ISO 14971)

17" Fanless J1900 Quad Core Slim Medical Panel PC

Dimension / Unit: mm



Ordering Information

- » ONYX-1731DTT-A1-1010
Slim Medical Panel PC, 17" LCD, Intel Celeron J1900, 2GB RAM, DC 12~24V, Resistive Touch
- » ONYX-1731DTT-A2-1010
Slim Medical Panel PC, 17" LCD, Intel Celeron J1900, 2GB RAM, DC 12~24V, Resistive Touch,RFID Reader

Optional Accessories

- » 1255300657
Medical Power Adapter, 60W, 24V
- OPM-T008-A1
Smart Card Reader Kit
- » OPM-T007-A4
Slim Slot-in DVD-RW Drive
- » OPM-C06W-A0
WLAN Kit, IEEE 802.11a/b/g/n + Bluetooth 4.0