

Digital Diagnostic Scope

DSC-300P

DSC 300P ,5MP resolution



Features

- 3.5" Capacitive multi-touch panel
- Wifi/Bluetooth module embedded
- HDMI Full HD live stream
- USB plug with lock
- Magnetic pogo touch charger
- Focus wheel
- Switchable lens
- Meets all kinds of specialist need

Specifications

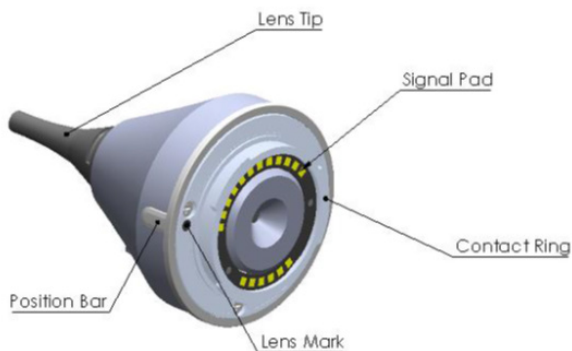
Control unit

Focus	Manual focus
Picture Resolution	2560 x 1920 pixels
Video Resolution	2560 x 1920 pixels
LCD Monitor	3.5" TFT LCD
Image Format	JPEG (Photograph) and H.264 (Video)
Interface	Mini USB 2.0, Micro HDMI (1.4), Wi-Fi (2.4G), Bluetooth (4.2)
File Transfer	Mini USB Port to PC with USB cable 1.8m (Shield)
Dynamic Video Output	HDMI output with A-D HDMI cable 2.0m (Shield) USB live video enable from USB port with USB cable 1.8m
File Storage	Memory card, Supports 2GB to 32GB by FAT32 Format.
Audio	Microphone/ Speaker
Dimension	(L)202.5±5% x (W)89 ±5% x (H)79 ±5% mm
Weight	275±5% grams
Power Source	Rechargeable Lithium Battery 3.6V / Capacity 3350mAh
External Power	Source: 100~240 VAC, 50/60 Hz
Charging station Input Spec.	5V DC, 1.2 A
Operating Time	Standby mode: 6 hours Operating mode: 1.5~4.5 hours (Depend on optical lens used)
Charging Time	6 hours
Expected service life (defined by manufacturer)	5 years from the date of initial operation *Proper maintenance is necessary.

Digital Diagnostic Scope

Switchable lens

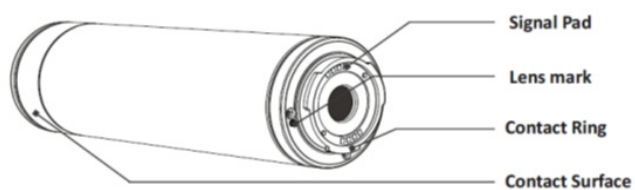
Digital Otoscope



Technical Description

Focus Range	7-20 mm (Typical)
Dimension	4.3 X 4.3 X 7 cm (Typical)
Weight	69 Grams (Typical)
Camera / Video light source	Natural White Light Emitting Diode (LED)

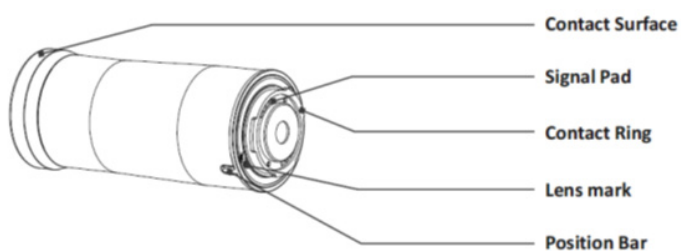
Digital Eye Fundus Camera



Technical Description

View Angle	40 Degree (Typical)
Diopter	-20 ~ +20D (Typical)
Dimension	4.3 X 4.3 X 12.9cm (Typical)
Weight	141 Grams (Typical)
Search Fundus Lighting	Two modes, natural white Light Emitting Diode (LED) or infrared LED
Camera / Video flash light	Natural White Light Emitting Diode (LED)

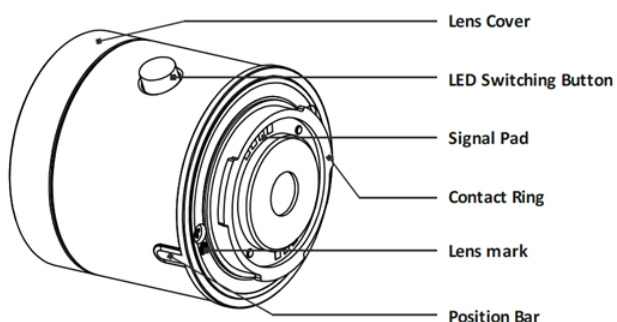
Digital Eye Fundus Camera



Technical Description

View Angle	25 Degree (Typical)
Diopter	-20 ~ +20D (Typical)
Dimension	4.3 X 4.3 X 10.7 cm (Typical)
Weight	111 Grams (Typical)
Search Fundus Lighting	Two modes, natural white Light Emitting Diode (LED) or infrared LED
Camera / Video flash light	Natural White Light Emitting Diode (LED) Digital Anterior Scope

Digital Anterior Scope



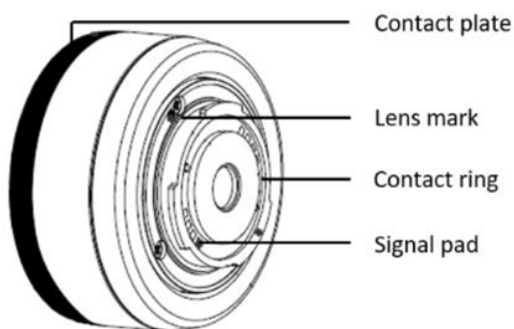
Technical Description

Working Distance	30 mm (Typical)
Dimension	4.3 X 4.3 X 4.5 cm (Typical)
Weight	91 Grams (Typical)
Camera / Video light source	Natural White/Blue Light Emitting Diode (LED)
LED Switching Button	Switch to blue LED by the LED Switching Button to take fluorescence image of cornea

Digital Diagnostic Scope

Switchable lens

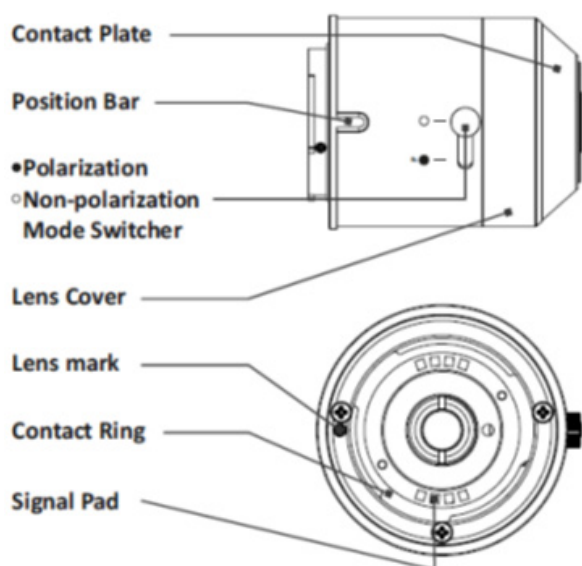
Digital Dermatoscope



Technical Description

View Angle	7-20 mm (Typical)
Dimension	4.3 X 4.3 X 7 cm (Typical)
Weight	69 Grams (Typical)
Camera / Video light source	Natural White Light Emitting Diode (LED)
Polarization function	Polarized light changed by the icon on screen

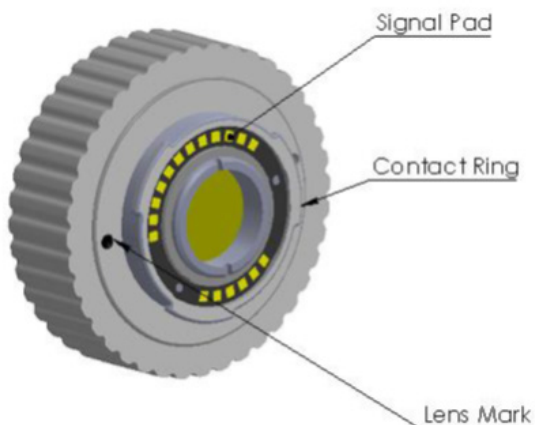
Digital Dermatoscope



Technical Description

View Angle	10 mm diameters (Diagonal) (Typical)
Dimension	4.5 X 4.5 X 5.6 cm (Typical)
Weight	114 Grams (Typical)
Camera / Video light source	Natural White Light Emitting Diode (LED)
Polarization function	Polarized light changed by the switch on lens

Endoscope Adapter



Technical Description

Dimension	5.0 X 5.0 X 1.8 cm (Typical)
Weight	38 Grams (Typical)

Optional

- » Image Management System (Standalone)
- » Image Management System (Cloud ver. 10accounts. Needs extra fee for maintaining)

Accessories

- » Hand-held Bag
- » Carrying Box
- » Slit-Lamp Jig
- » Battery for Country Unit
- » USB Cable SET
- » Power adater
- » Charging Station
- » HDMI for Country Unit
- » Fixation Lamp jig