

Onyx Mobile Medical Cart Computer

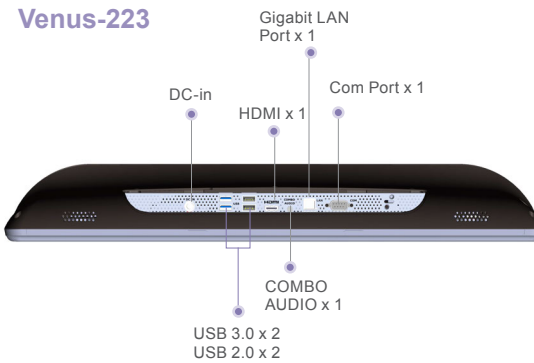
Venus-223 / Venus-222

22" 24/7 Self-Powered Medical Mobile Cart Computer

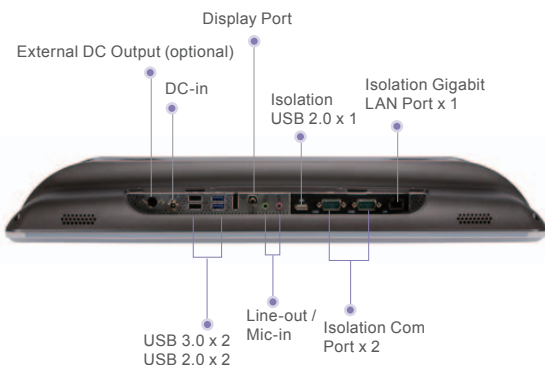


Battery x 1 Battery x 1
 USB 3.0 x 2 Smart Card Reader x 1

Venus-223



Venus-222



Features

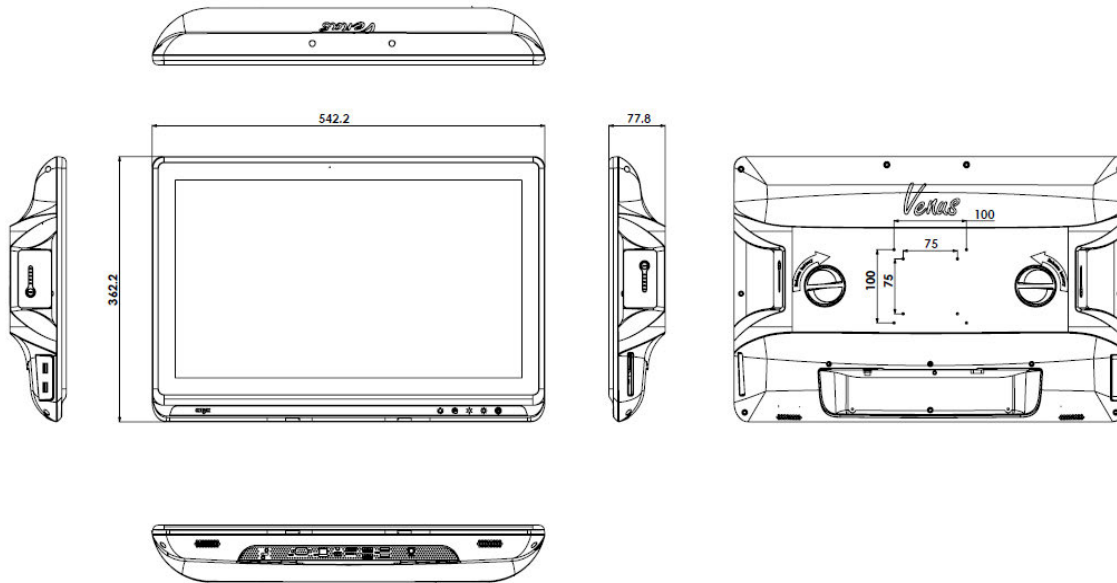
- Highest level of medical safety protection , EMC4.0 / Safety 3.1
- Cleanability with hospital solvents (front IP65)
- Hot swappable design, support 24/7 run time
- Intel® Skylake Dual-Core i5 / Quad-Core J1900
- Support remote monitor/control/update (ORION compatible)
- Lightweight design
- Front reading light bar

Specifications

Main Specifications		Venus-223	Venus-222
Processor		Intel® Skylake Dual-Core i5	Intel® Quad-Core J1900
System Memory		DDR4 up to 32GB	DDR3L up to 8G
OS Support		Microsoft® Windows 7 (32bit/64bit) Microsoft® Windows 8.1 (64bit) Microsoft® Windows 10 (64bit) Ubuntu 14.04 LTS IGEL (thin client solution)	Microsoft® Windows 7 (32bit/64bit) Microsoft® Windows 8.1 (32bit/64bit) Microsoft® Windows 10 (32bit / 64 bit) IGEL (thin client solution)
Graphics		Intel® HD Graphics 520	Intel® HD Graphics
Storage		SSD up to 512GB (optional)	
Wireless Communication		802.11 ac/a/b/g/n + BT 4.0 (optional)	
Camera		2MP/5MP camera (optional)	
Touch		PCT (optional), R-TS	
Speaker		2W x2	
Security		TPM 2.0 (Trusted Platform Module), Smart Card Reader, RFID ISO 15693/14443A (optional)	
Auto Brightness		Light sensor	
Display			
Display Size		21.5" VA panel	
Resolution		FHD 1920 x 1080	
Max. Colors		16.7M	
Contrast Ratio		3000:1	
Luminance (cd/m2)		250	
I/O			
USB		Rear I/O : USB 3.0 x2, USB 2.0 x2 Side I/O : USB 3.0 x2	Rear I/O : USB 3.0 x2, USB 2.0 x2, Isolated USB x1 Side I/O : USB 3.0 x2
Video Out		HDMI 1.4 x1	DP x1
COM		COM port x1	Isolated COM port x2
Audio		Combo audio port x1	Mic-in x1, Audio-out x1
Security		Kensington slot	N/A
Ethernet		Gigabit LAN x1	
DC-in		24V DC-in x1	
Mechanical and Environmental			
VESA		75/100 mm VESA mount	
Operating Temperature		0°C ~ 40°C(32°F ~ 104°F)	
Storage Temperature		-20°C ~ 60°C(-4°F ~ 140°F)	
Storage Humidity		10%~95%@35°C, non-condensing	
Dimension		542(L) x 77(W) x 362(H) mm	
Net Weight		7kg (15.4 lbs)	
Packing Size		680(L) x 270(W) x 530(H) mm	
Gross Weight		10.5kg (23.15 lbs)	
Certification		CE/FCC Class B, UL60601-1, EN60601-1	

22" 24/7 Self-Powered Mobile Medical Cart Computer

Dimension / Unit: mm



Ordering Information

- » VENUS-223ST-A1-1010
Cart Computer.i5 22".Fanless.PCT.4G RAM.SCR.TPM.Battery x2
- » VENUS-223ET-A1-1010
Cart Computer.i5 22".Fanless.R-TS.4G RAM.SCR.TPM.Battery x2
- » VENUS-222ET-A1-1010
Cart Computer. J1900. 22". Fanless. R-TS. 4GB RAM. SCR. TPM. Battery x2

Optional Information

- | | |
|---|--|
| <ul style="list-style-type: none"> » 1255301501
Medical Adaptor. 100-240V/1.0-2.5A 24V/6.25A 150W » OPM-S02R-A0
RFID Reader Kit » OPM-C09W-A0
WLAN dual band module kits. INTEL 802.11ac/a/b/g/n+BT » OPM-C07W-A2
WLAN dual band module kits. Atheros 802.11a/b/g/n + BT 4.0 » OPM-P01C-03
6-Slot Charger + Medical adaptor 24V/250W | <ul style="list-style-type: none"> » UP-P22-A1-1010
2-Slot Charger + Medical adaptor 24V/150W » OPM-V01C-01
2MP Camera Kit » OPM-V02C-01
5MP Camera Kit |
|---|--|