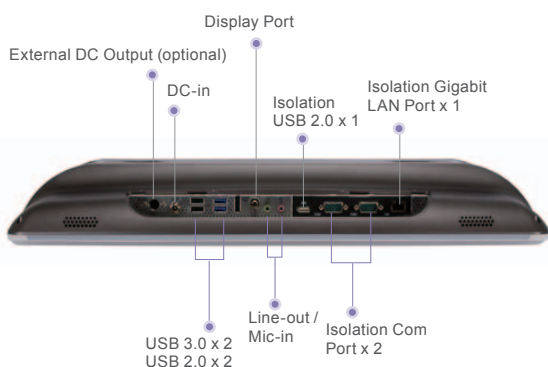


Onyx Mobile Medical Cart Computer

# Venus-192

19" 24/7 Self-Powered Cart Computer



## Features

- Intel® J1900 quad-core Processor
- Equipped Swappable Batteries x2, support 24hr run-time.
- ORION, Hospital IT Management Software Padeage
- Fully Cable-less, easy deployment
- Magnesium Alloy Rear Cover
- Reading light bar in front
- 19" 1280 x 1024 LCD with LED backlight
- Water-Proof : IP65 Front Panel , Rear- IPX1
- 5 Programmable Smart Function Keys
- USB/COM/LAN Medical 4KV Isolation
- High Speed USB 3.0 Ports
- 9/12/24V External Power Output (optional)

## Specifications

### Main Specifications

Processor	Intel® Celeron® quad-core J1900 (2M Cache, up to 2.42 GHz)
System Memory	DDR3L up to 8GB
OS Support	Microsoft® Windows 7 (32bit/64bit) Microsoft® Windows 8.1 (32bit/64bit) Microsoft® Windows 10 (32bit / 64 bit)
Storage Disk Driver	2.5 inch SATAII SSD or HDD (optional)
Security	Trusted Platform Module, Smart Card Reader, RFID (optional)
Wireless Communication	WiFi 802.11 a/b/g/n (optional) Bluetooth (optional)
Speaker	2W x 2
Function Key	Power On/Off, LCD Brightness Up, LCD Brightness Down, Touch Screen On/Off, Reading Light On/Off

### Display

Size	19 inch
Resolution	1280 x 1024
Max. Colors	16.7M
View Angle	170°(H) / 160°(V)
Contrast ratio	1000:1
Brightness	250 nits
Touch Screen	5-Wire Resistive Touch Screen
Sensor	Light Sensor

### I/O

USB	4KV Isolated USB 2.0 x 1 , USB 2.0 x 2, USB 3.0 x 4
COM	4KV Isolated RS-232 x 2
Ethernet	4KV Isolated Gigabit LAN x 1
Video Out	Display Port x 1
Audio	Mic-in x 1, Audio-out x 1
External Power Output	9V/18W, 12V/24W, 24V/24W DC output (optional)

### Battery Pack

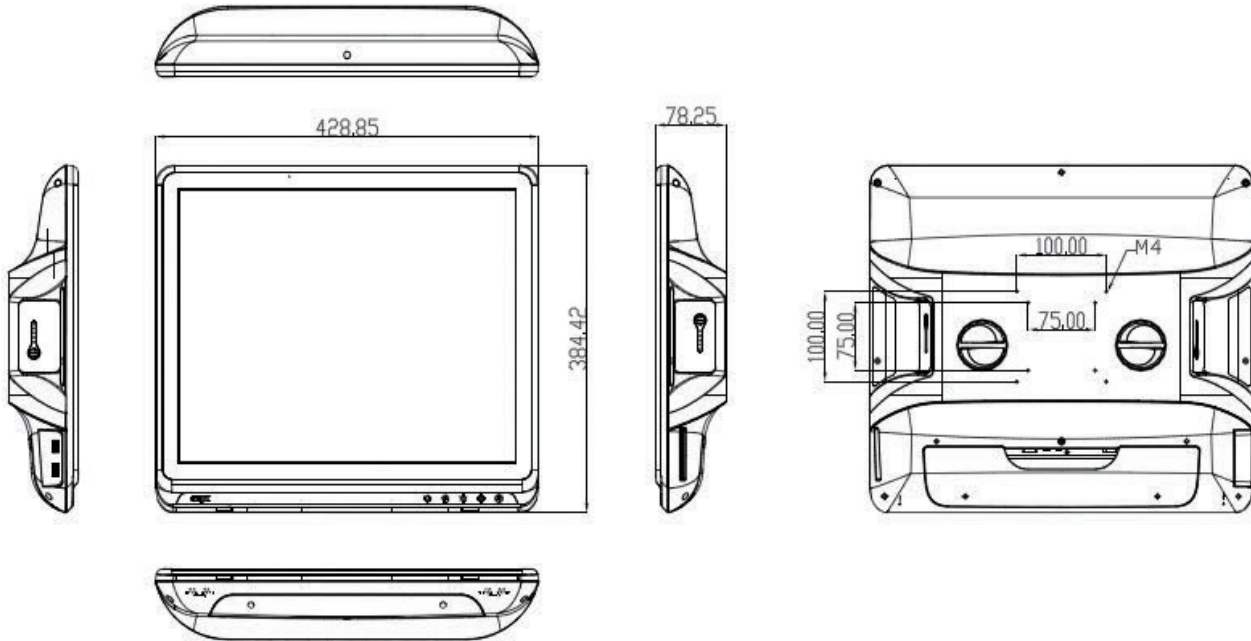
Battery Type	6 Cell Lithium Battery
Battery Capacity	5700 mAh
Battery Output Voltage	10.8V
Battery Charge Time	2 hrs for 85%, 3hrs for 100%
Battery Run time	6 hrs *For more details, please see the user guide

### Mechanical and Environmental

Power Consumption	26.5W (w/o IO and charger)
Operating Temperature	0°C ~ 40°C(32°F ~ 104°F)
Storage Temperature	-20°C ~ 60°C(-4°F ~ 140°F)
Storage Humidity	10%~95% @ 35°C, non-condensing
Degree of Protection	Front IP65, Rear IPX1
System Cooling	Fan-less
Net Weight	5.5kg (12.13lb)
Gross Weight	9kg (19.84lb)
Dimensions (W*D*H)	429 x 78 x 384 mm
Packing Size (W*D*H)	570 x 270 x 530 mm
EMC	CE/FCC Class B, UL-60601-1, EN-60601-1

## 19" 24/7 Self-Powered Mobile Medical Cart Computer

### Dimension / Unit: mm



### Ordering Information

- » VENUS-192ET-A1-1010  
Cart Computer. J1900. 19". Fanless. R-TS. 4GB RAM. SCR. TPM. Battery x 2

### Optional Accessories

- » 1255301501  
Medical Adaptor. 100-240V/1.0-2.5A 24V/6.25A 150W
- » OPM-S02R-A0  
RFID Reader Kit
- » OPM-C09W-A1  
WLAN dual band module kits. INTEL 802.11ac/a/b/g/n + BT
- » OPM-C07W-A2  
WLAN dual band module kits. Atheros 802.11a/b/g/n + BT 4.0
- » OPM-P01C-03  
6-Slot Charger + Medical adaptor 24V/250W
- » UP-P22-A1-1010  
2-Slot Charger + Medical adaptor 24V/150W