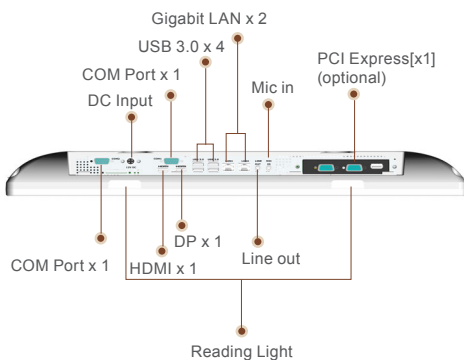
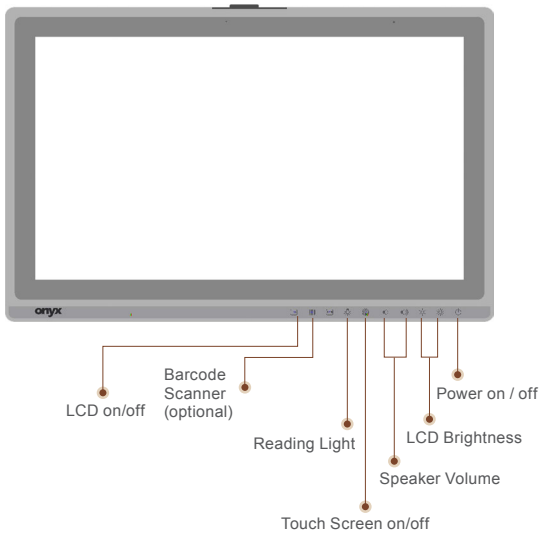


MATE-2203

22" Fanless Core i7 Medical AIO



Features

- Intel® 6th Generation Core™ i7 / i5 / i3 Processor
- Intel® H110 Chipset
- Supports Dual Channel DDR4 2133 SODIMM up to 32GB
- 22" Full HD LCD with LED Backlight
- 5-Wire Resistive Touch Screen / Capacitive Multi-Touch Screen
- Two Gigabit Ethernet
- High Speed USB 3.0 Ports
- RS-232 x 2
- PCI-Express x [1] x 1 (optional)
- +12V DC Input

Specifications

Main Specifications

| | |
|------------------------|---|
| Processor | Intel® 6th Generation Core i7 / i5 / i3 Processor |
| System Memory | Supports Dual Channel DDR4 2133 SODIMM up to 32GB |
| Chipset | Intel® H110 |
| OS Support | Windows® 7, Windows® 8.1, Windows® 10, Linux® |
| Storage Disk Drive | 2.5" SATA Hard Disk Drive/SSD x 1 Slim DVD-RW Drive x 1 (optional) |
| Security | Trusted Platform Module, RFID Reader (optional) Smart Card Reader x 1 (optional) |
| Wireless Communication | 802.11ac/a/b/g/n (optional), Bluetooth 3.0HS & 4.0 (optional) |
| Speaker | 5W x 2 |
| Function Key | Speaker Volume Up/Down, LCD Brightness Up/Down LCD On/Off, Touch Screen On/Off, Reading Light On/Off |
| Power Requirement | DC 12V |

Display

| | |
|-----------------------|---|
| Size / Type | 22" MVA LCD |
| Max. Resolution | 1920 x 1080 |
| Luminance(cd/m2)(TYP) | 250 nits |
| Viewing Angle | 178°(H)/178°(V) |
| Contrast Ratio | 3000:1 |
| Back Light Life Time | 30,000 Hours |
| Touch Screen | 5-Wire Resistive / Capacitive Multi-Touch |

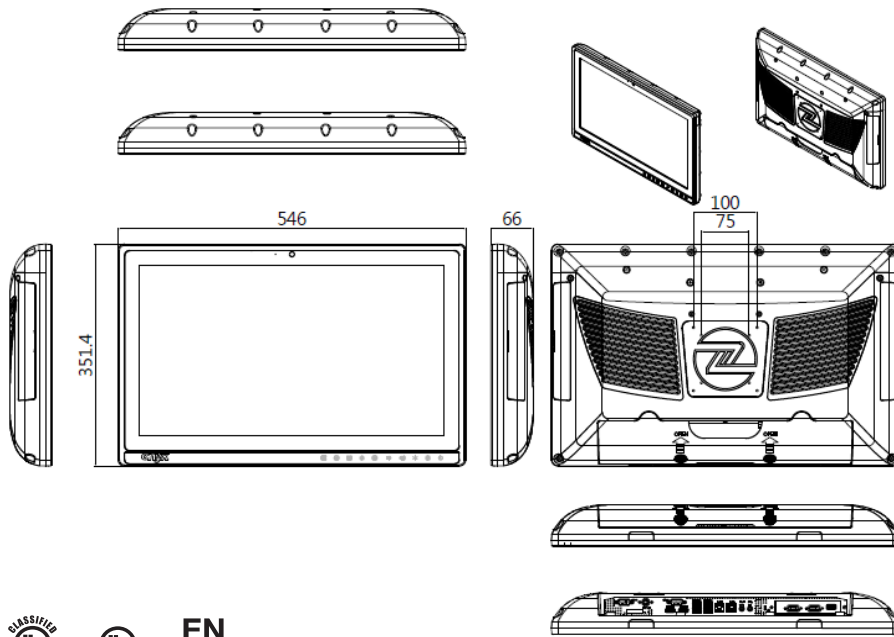
I/O

| | |
|-------------|--|
| USB | USB 3.0 x 4, USB 2.0 x 2 |
| Serial Port | RS-232 x 2 |
| Ethernet | 1.5KV Isolated Gigabit LAN x 2 |
| Video Out | Display Port x1, HDMI x 1 (Supports resolution up to 3840 x 2160) |
| Audio | Mic-in, Line-out |

Mechanical and Environmental

| | |
|-------------------------------|---|
| Operating Temperature | 0°C ~ 35°C(32°F ~ 95°F) |
| Storage Temperature | -20°C ~ 60°C(-4°F ~ 140°F) |
| Mounting VESA | 75/100 mm |
| Degree of Protection | IP65 in the front ; IP54 in the back |
| Net Weight | 8.5kg (18.7lb) |
| Package Dimension (W x D x H) | 750 x 220 x 490mm |
| Certification | CE, FCC Class B Passed 18_cULus Mark/UL+VTC Report+ISO 14971(CAN/CSA-C22.2No.60601-1-08; ANSI/AAMI ES60601-1:2005, EC 60601-1-1:2005, EN 60601-1:2006 ISO 14971) |

Dimension / Unit: mm



Ordering Information

- » MATE-2203ST-A1-1010
Medical Panel PC, 22" LCD, i7, 4GB RAM, DC 12V, Capacitive Touch
- » MATE-2203ST-A2-1010
Medical Panel PC, 22" LCD, i5, 4GB RAM, DC 12V, Capacitive Touch
- » MATE-2203ST-A3-1010
Medical Panel PC, 22" LCD, i3, 4GB RAM, DC 12V, Capacitive Touch
- » MATE-2203ET-A1-1010
Medical Panel PC, 22" LCD, i7, 4GB RAM, DC 12V, Resistive Touch
- » MATE-2203ET-A2-1010
Medical Panel PC, 22" LCD, i5, 4GB RAM, DC 12V, Resistive Touch
- » MATE-2203ET-A3-1010
Medical Panel PC, 22" LCD, i3, 4GB RAM, DC 12V, Resistive Touch

Optional Accessories

- » 1255301204
Medical Power Adapter, 120W, 12V
- » OPM-T006-A2
Smart Card Reader Kit
- » OPM-T013-A1
Slim Slot-in DVD-RW Drive
- » OPM-C06W-A6
WLAN Kit, IEEE 802.11a/b/g/n + Bluetooth 4.0
- » OPM-R03X-A1
PCI Express[x1] Riser Kit
- » OPM-C02C-A1
Two Isolated RS-232 & One Isolated USB 2.0 PCIe Card
- » OPM-C02C-A2
Two Isolated RS-232 PCIe Card
- » OPM-C03C-A1
One Isolated Gigabit LAN & One Isolated RS-232 & One Isolated USB 2.0 PCIe Card