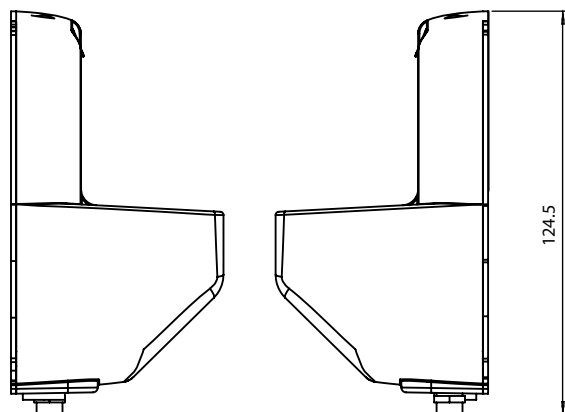
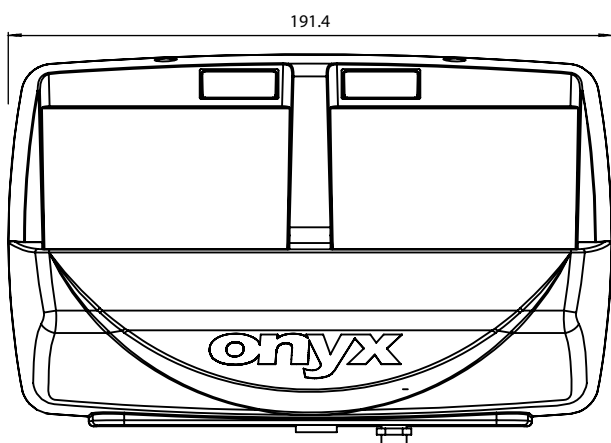
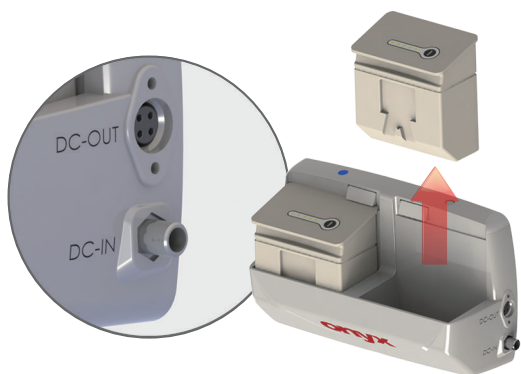


Onyx Ubiquitous Power Solution

UPower Pro-22

2-slot charger with 120W DC output



Features

- Compatible with short battery and long battery (XL)
- 120W power output, mini-din 4pin x1
- 10W USB port x1 (power output only)
- Selected voltage (12V / 19V / 24V)
- Non-stop, swappable batteries architecture
- Battery information monitor remotely (ORION)
- Support wall/cart mount. Fitting all environment
- LED indicator, clearly reveal recharge/discharge status

Specifications

Main Specifications

Output Voltage	12/19/24V (can be selected only one voltage)
Output Capacity	120W mini-din 4pin x1; 10W USB Type A x1 (power output only)
Charge Time	2.5hrs for short battery; 3.5hrs for long battery
Safety	Supports protection from over-voltage (input), over-current (input and output), short circuit, over-charge.
Certification	CE, FCC
IO interface	Mini-din 4pin x1; USB Type A x1 (Power output only); USB micro-B x1(Data transport only); DC-in

Mechanical and Environmental

Architecture	ABS + PC
Color	White
Dimension	191(L) x 64(W) x 117(H) mm
Net Weight	0.67kg (1.47 lbs)
Packing Size	350(L) x 130(W) x 290(H) mm
Gross Weight	2kg (4.41 lbs)
Operating Temperature	0°C ~ 40°C(32°F ~ 104°F)
Storage Temperature	-20°C ~ 60°C(-4°F ~ 140°F)
Storage Humidity	10%~95%@35°C, non-condensing

Battery LED Indicator

Blue Lighting	Full Charge (AC mode)
Blue Flashing	Charging (AC mode)
Green Lighting	Capacity 40%~100% (Battery mode)
Orange Lighting	Capacity 21%~39% (Battery mode)
Purple Lighting	Capacity 0%~20% (Battery mode)
Green-Purple Flashing	Charging error

Power Supply Specification

Input Voltage	100-240V AC @50-60 Hz
Output Power	24V / 6.25A, 150W max

Ordering Information

- » UP-P22-A1-1010
2-slot Charger with DC output + 24V/150W adaptor
- » OPM-P01T-03
2 Battery Kit. Li-ion 3S2P, 10.8V, 5700mAh. Volume Order (via Sea)
- » OPM-P02T-03
2 XL Battery Kit. Li-ion 3S3P, 10.95V, 8550mAh. Volume Order (via Sea)