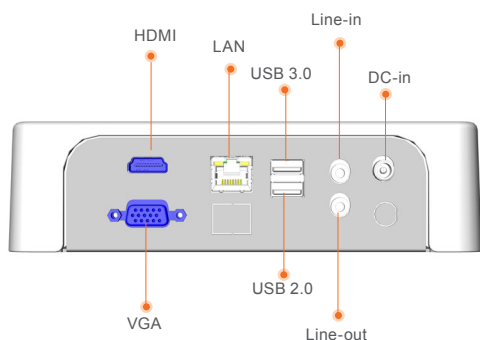
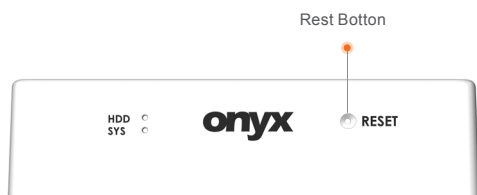


MEDPC-1600

Fanless J1900 Quad Core Infotainment Box PC



Features

- Intel Bay Trail J1900 (Quad Core) 2GHz
- Multiple display output support
- Fanless easy clean design
- Mini Size

Application

- HIS, LIS, RIS
- Pharmaceutical industry
- Biotech Lab
- Signage in hospital
- Equipment control

Specifications

Main Specifications

Processor	Intel® Celeron J1900 (Quad Core) 2GHz
Video Chipset	Intel® HD Graphics
Display Memory	Shared Memory
System Memory	204-pin DDR3L support to 8GB
Expansion	1 x Half size Mini Card Slot ; 1 Mini card slot
System Storage	CFAST Cardx 1

I/O

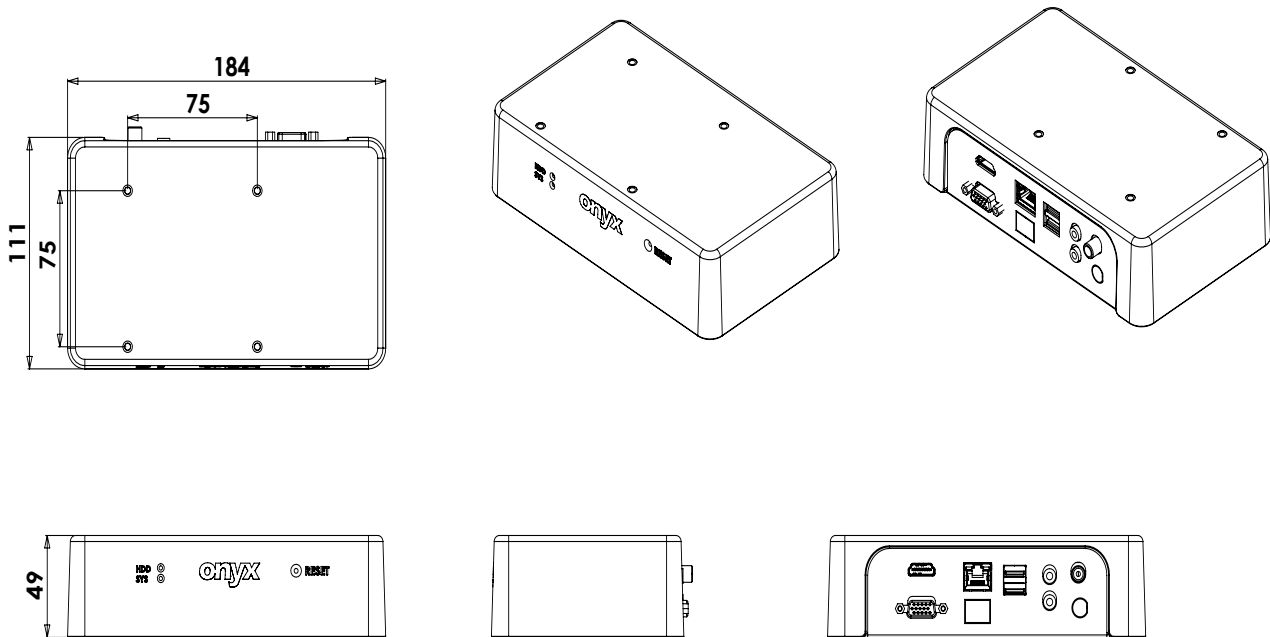
USB	USB 2.0 x 1, USB 3.0 x 1
Video Interface	VGA x 1, HDMI x 1
Power Jack	DC Power Input Connector
Ethernet	GbE LAN x 1 by RJ-45
SMA Connector	SMA Connector for WLAN antenna (removable) (optional)
Power Switch	Rest Button and 2 LED indicator (HDD, SYS) (Orange Red, Green)
Audio	Line out / Line-in

Mechanical and Environmental

Power Consumption	Full Loading: 38.453Watts
Power Requirement	DC 12V power input
Operating Temperature	0°C ~40°C(32°F ~104°F)
Storage Temperature	-20°C ~ 60°C(-4°F ~ 140°F)
Net Weight	1.2Kg (2.64lb)
Gross weight	2.4kg (5.28lb)
Package Dimension (W x D x H)	305 x 205 x 230 mm
EMC	CE EN 60601-1-2:2007, 47 CFR FCC Part 18 Class B, IEC 60601-1:2005; EN 60601-1:2006, ISO 14971:2007

Onyx Fanless J1900 Quad Core Infotainment Box PC

Dimension / Unit: mm



Ordering Information

» MEDPC-1600-A1-1010

Emb, Sys., J1900 2.42GHz, DC 12V, 2GB RAM, 1 LAN, 1 USB 3.0, 1 USB 2.0, 1 VGA, 1HDMI

Optional Accessories

» 1757306038

Medical Power Adaptor.100 ~ 240V.12V.5A.60W.DC.W/ Lock.Adapter.ATM065-P120

» OPM-C06W-A7

WLAN Kit.Atheros AR1111.802.11b/g/n+BT 4.0.Mini Card.dual white ext. antenna.for MEDPC-2100